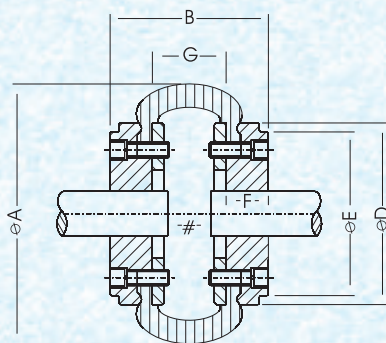




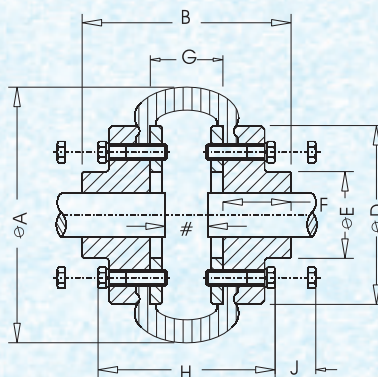
## Tyre Type

### Special Features of 'UT' Type Couplings :

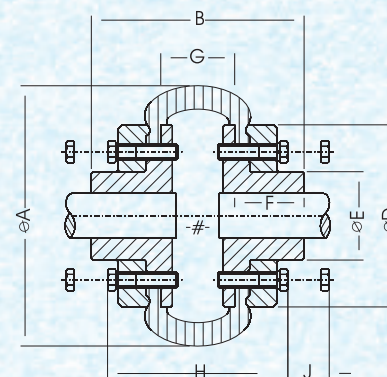
- Highest miss - alignment tolerances.  
Parallel - Max 6 mm  
Angular - Max 4°  
End Float - Max 6 mm
- In case of failure of Tyre, torque transmission is stopped - safe guarding equipments.
- Better protection in impact load & heavy shocks.
- Easy to assemble & disassemble
- No need of lubrication.



Sizes UT 0040 to 0060



Sizes UT 0070 to 0120



Sizes UT 0140 to 0180

## Technical Data

SIZE	MINIMUM BORE	MAXIMUM BORE	MAX. SPEED RPM	DIEMISONS IN MM								RATING KW/ 100 RPM	TORSIONAL STIFFNESS Nm / Radian	APPROX WEIGHT IN KG	MAX. MISALIGNMENT (MM)	
				∅ A	B	∅ D	E	F	G	H	J				PARALLEL	END FLOAT ±
UT 0040	10	30	4500	104	67	82	-	22	22	-	43	0.22	286	1.85	1.10	1.30
UT 0045	10	32	4500	120	73	94	-	25	24	-	43	0.39	516	2.68	1.20	1.50
UT 0050	14	38	4500	133	92	100	-	32	25	-	43	0.56	745	2.98	1.30	1.70
UT 0060	15	48	4000	165	112	125	73	38	33	-	43	1.11	1490	5.04	1.60	2.00
UT 0070	15	55	3600	197	132	144	82	45	40	101	10	1.70	2349	7.82	1.90	2.30
UT 0080	20	65	3100	211	150	167	95	51	43	106	10	2.65	3610	11.03	2.10	2.60
UT 0085	20	70	3000	222	153	180	103	53	44	107	13	3.20	4354	14.13	2.20	2.80
UT 0090	20	76	2880	235	164	190	110	57	46	119	13	3.82	5214	16.34	2.40	3.00
UT 0100	25	85	2600	254	178	216	124	60	48	123	13	5.29	7219	25.98	2.60	3.30
UT 0110	30	90	2300	279	180	233	134	65	44	127	14	7.46	10199	30.84	2.90	3.70
UT 0120	35	102	2050	314	207	264	152	76	49	140	14	12.40	16960	45.60	3.20	4.00
UT 0140	50	120	1800	359	204	313	195	89	24	152	14	19.70	26929	61.00	3.70	4.60
UT 0160	60	140	1600	402	220	345	216	102	30	156	19	32.60	44576	86.00	4.20	5.30
UT 0180	70	150	1500	470	258	398	266	114	46	188	19	57.40	79068	141.00	4.80	6.00