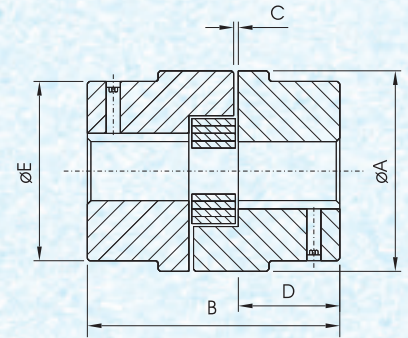




Spider Type (US)

Special Features of 'US' Type Couplings :

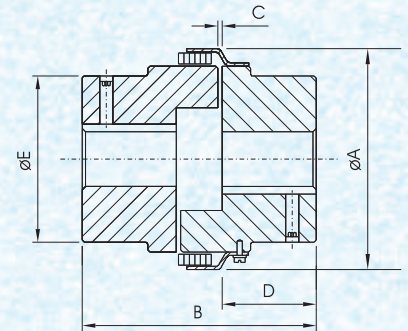
- Low cost.
- Simple construction contains two hubs and single elastomeric flexible member called Spider.
- Range upto 4308 Nm Torque-ratings.



Snap-Wrap Type (UW)

Special Features of 'UW' Type Couplings :

- The basic "US" coupling with "Snap-Wrap" type elastomer & removable collar. This facilitates inspection and replacement of Snap-Wrap without disturbing the alignment of hubs (Drive and Driven unit)
- Inspection / Replacement of elastomer within 5 minutes and only screw driver is required.
- Maintenance of machines splitting at centerline of shaft is possible without disturbing shaft alignments because of Snap-Wrap concept.



Technical Data

SIZE	MATERIAL OF HUBS		DIEMIONS IN MM								KW Capacity			RATED TORQUE Nm	TORSIONAL STIFFNESS Nm/ Radian
			MINIMUM BORE	MAXIMUM BORE	ϕA		B	C	D	ϕE	100 RPM	1500 RPM	3000 RPM		
					US	UW									
US 035	SI	AL	3	10	16	-	19	1	5.5	16	0.004	0.06	0.12	0.38	4
US 050	SI	AL	6	16	28	-	46	1	17	28	0.030	0.45	0.90	2.50	36
US 070	SI	AL	9	20	36	-	51	2	19	36	0.050	0.75	1.50	4.90	80
US 075	CI	AL	9	22	45	-	55	2	21	45	0.100	1.50	3.00	9.80	119
US/UW 095	CI	AL	10	28	54	64	63	2	25	49	0.220	3.30	6.60	21.10	275
US/UW 099	CI	AL	10	30	65	78	72	2	27	51	0.370	5.55	11.10	35.10	688
US/UW 100	CI	AL	10	35	65	78	88	2	35	57	0.490	7.35	14.70	46.40	688
US/UW 110	CI	AL	15	42	85	96	108	3	43	76	0.930	13.95	27.90	89.00	1719
US/UW 150	CI	-	15	48	96	111	115	3	45	80	1.490	22.35	44.70	141.00	2120
US/UW 190	CI	-	20	60	115	130	133	3	54	102	2.010	30.15	60.30	190.00	3495
US/UW 225	CI	-	20	65	127	142	153	3	64	111	2.760	41.40	82.80	265.00	4584
US/UW 226	CI	-	25	70	137	153	178	3	70	119	3.430	51.45	102.90	324.00	6990
US/UW 276	CI	-	25	75	157	173	200	3	80	227	5.600	84.00	168.00	532.00	12720
US/UW 280	CI	-	30	80	192	205	200	3	80	140	8.200	123.00	246.00	782.00	22517
US/UW 295	CI	-	40	95	237	251	238	3	95	162	13.400	201.00	-	1279.00	51222
US/UW 2955	CI	-	50	105	237	251	264	3	108	180	22.400	336.00	-	2132.00	85428
US/UW 300	CI	-	50	105	254	267	283	3	115	180	31.900	478.50	-	3047.00	126395
US/UW 350	CI	-	50	115	305	318	309	3	128	200	45.000	675.00	-	4308.00	183633

* Hubs with different materials of construction like cast-steel and elastomeric member like polyurethane available on request for higher torque and durability.

** Maximum permissible Mis-alignments : Angular 1° , parallel 0.4 mm and axial 3 mm (Initial alignment must be 25% of maximum)