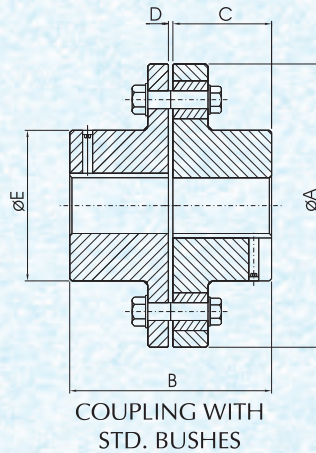


With Plain Bushes



Special Features of 'UPB' Type Couplings :

- Age old proven type concept.
- Better miss-aligning tolerance.
- Rubber bushes in various materials as Natural, Nitrile, Polyurethane etc. are available.
- Plane bushes are used which minimizes backlash.
- Working temperature up to 70° C.

Technical Data

SIZE	NO. OF HOLES	Rated Torque Nm	MINIMUM BORE	MAXIMUM BORE	MAX. SPEED RPM	DIEMENSIONS IN MM					RATING 100 RPM KW	RATING 1440 RPM KW	RATING 3000 RPM KW
						Ø A	B	C	D	Ø E			
UPB 095	3	77	12.7	28	6100	95	79	38	3	40	0.81	11.66	24.3
UPB 114	4	310	12.7	30	5100	114	99	48	3	42	3.25	46.8	97.5
UPB 130	6	516	16	42	4400	130	105	51	3	60	5.4	77.8	162
UPB 160	4	621	16	48	3600	160	107	51	5	68	6.5	93.6	195
UPB 191	4	831	20	65	3000	191	125	60	5	90	8.7	125.3	261
UPB 191	6	1241	20	65	3000	191	125	60	5	90	13	187.5	390
UPB 200	6	1241	20	65	2800	200	125	60	5	90	13	187.5	390
UPB 225	6	1662	25	75	2600	225	157	76	5	105	17.4	250.6	-
UPB 254	8	2359	45	90	2300	254	183	89	5	135	24.7	355.7	-
UPB 254	10	2932	45	90	2300	254	183	89	5	135	30.7	442	-
UPB 254	12	3533	45	90	2300	254	183	89	5	135	37	532.6	-
UPB 290	12	4154	60	115	1950	290	235	115	5	170	43.5	626.4	-
UPB 300	14	5195	60	120	1900	300	235	115	5	180	54.4	783.4	-
UPB 310	16	5816	65	130	1850	310	255	125	5	195	60.9	877	-
UPB 340	18	7268	65	135	1650	340	265	130	5	200	76.1	1096	-
UPB 360	12	8729	70	140	1590	360	276	135	6	210	91.4	1316	-
UPB 390	14	9932	80	150	1470	390	316	155	6	225	104	-	-
UPB 410	15	13274	90	160	1400	410	336	165	6	240	139	-	-
UPB 440	16	14420	100	170	1300	440	366	180	6	255	151	-	-
UPB 480	18	18050	110	180	1200	480	386	190	6	270	181	-	-
UPB 530	20	23780	120	190	1080	530	406	200	6	285	249	-	-